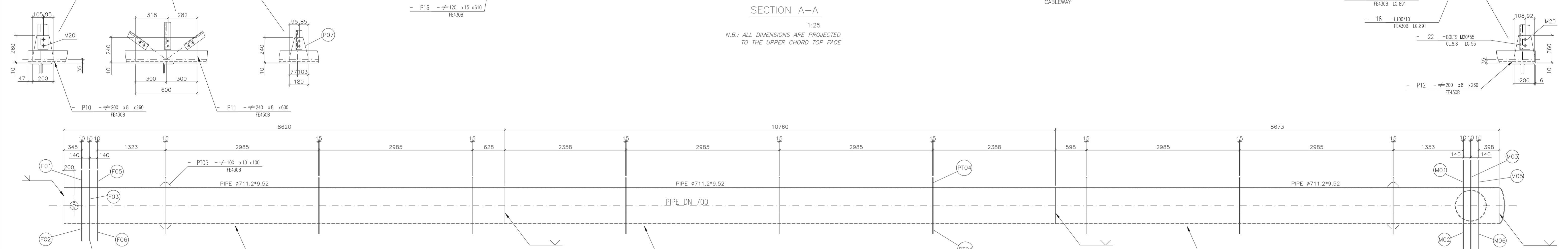


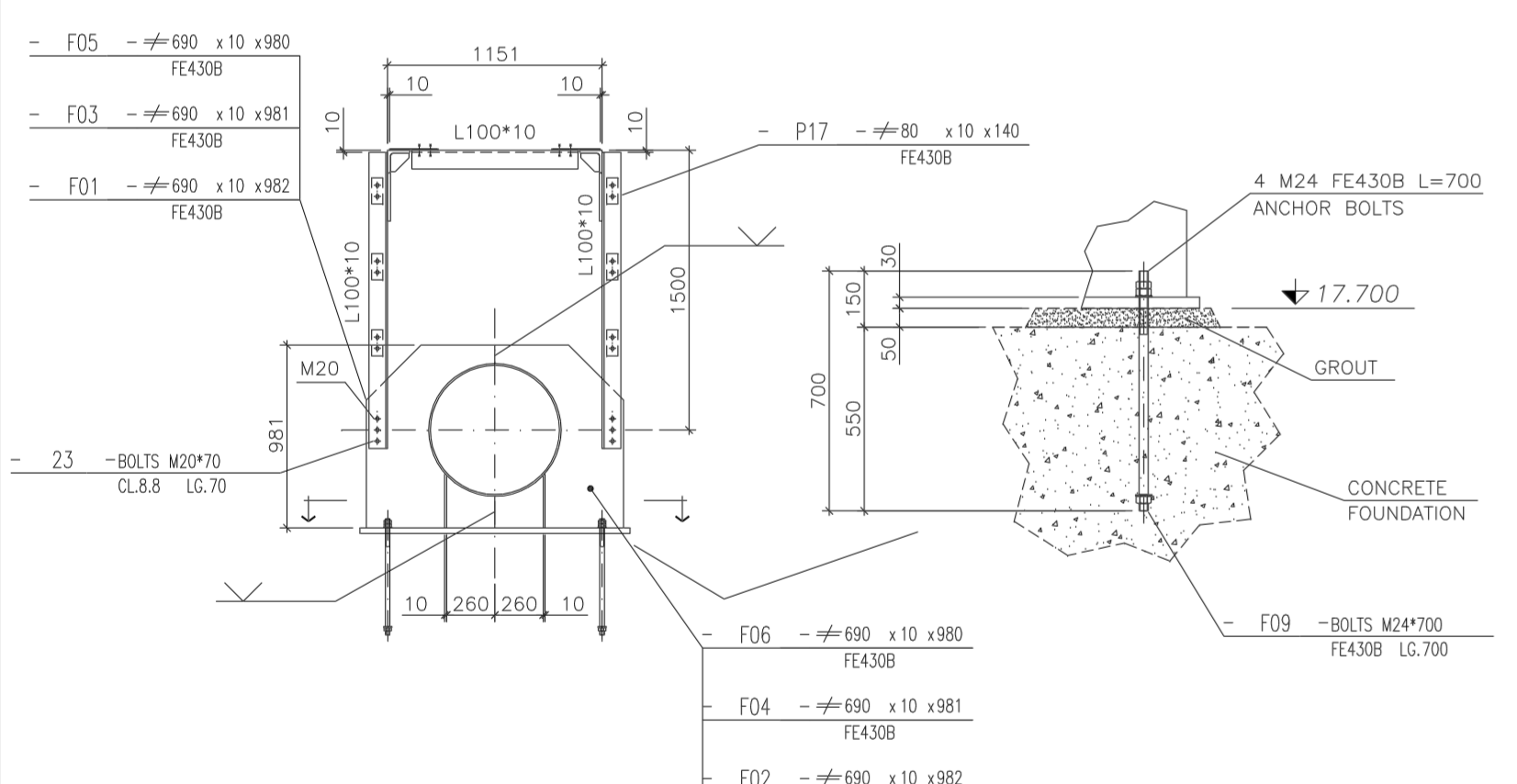
SECTION A-A

1:25  
N.B.: ALL DIMENSIONS ARE PROJECTED TO THE UPPER CHORD TOP FACE



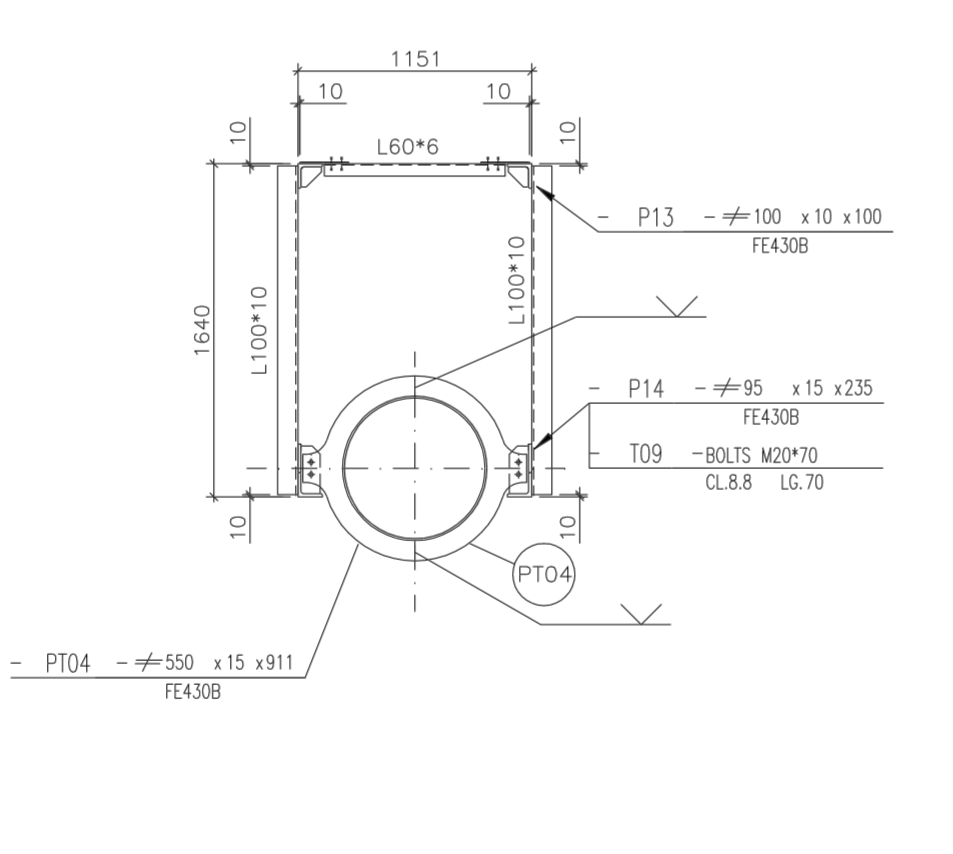
SECTION B-B

1:25  
N.B.: ALL DIMENSIONS ARE PROJECTED



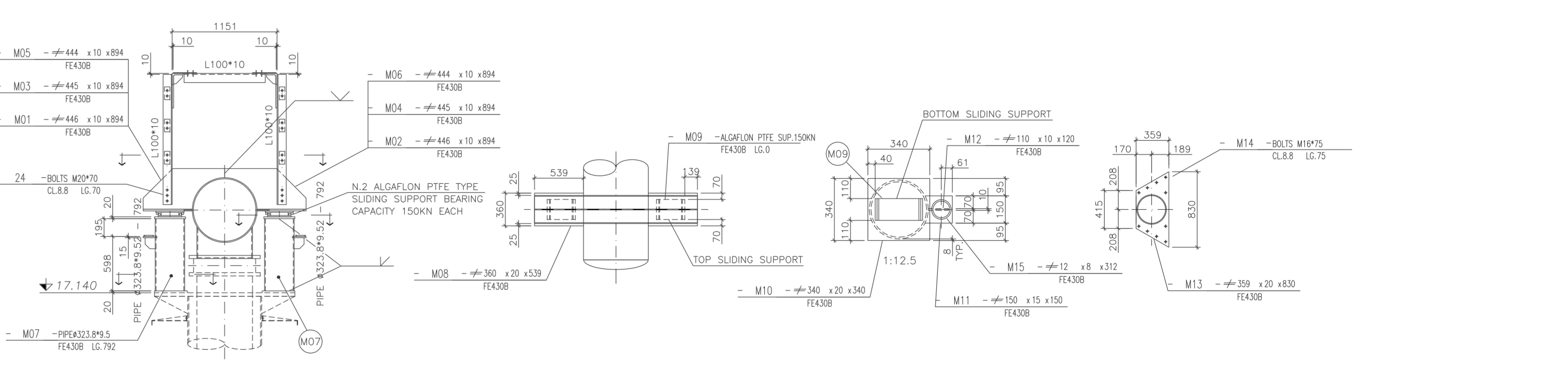
SECTION C-C

1:25



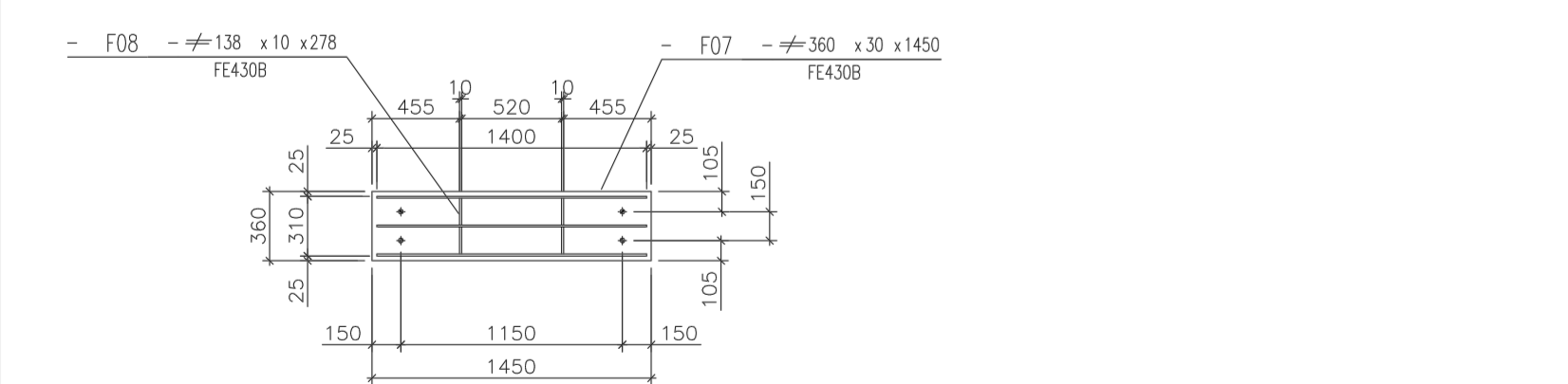
SECTION D-D

1:25



SECTION E-E

1:25



SECTION F-F

1:25

V199034-A-BE0189A		KURA II PLANT - GREATER BAKU WATER SUPPLY REHABILITATION PROJECT	
DRAWING N.		REFERENCE DRAWING	
1	17.07.00	ADDED POSITION "M15" & MODIFIED POS. M01+M06/M08 M11/M12/M14/17/18	RV AI
0	25.05.00	ISSUED FOR CONSTRUCTION	RV AI
REV.	DATE	DESCRIPTION	DIS. CONTR. APPR.

Structural consultant:  
**SERECO** S.r.l.  
ZONA INDUSTRIALE - C.P. 174  
20035 NOCI (BA)  
Tel. (085) 4917099  
Fax (085) 491124

Doct. Ing. **ATTILIO IANNUZZI P.A.D.**  
Via Lucania 438 - tel. +39 (049) 320081  
34100 TREVISO

TITLE: GREATER BAKU WATER SUPPLY REHABILITATION PROJECT  
KURA II PLANT  
DN700 PIPE SUPPORT STRUCTURE

CLIENT APPROVAL

DATE	SCALE	DIS.	CONTR.	APPR.	DRAWING No
17.07.00	INDICATED	RV	AI		2014-01-MAR FG. 2/2

LICIA\_20141114\_A0\_25\_17.07.2010